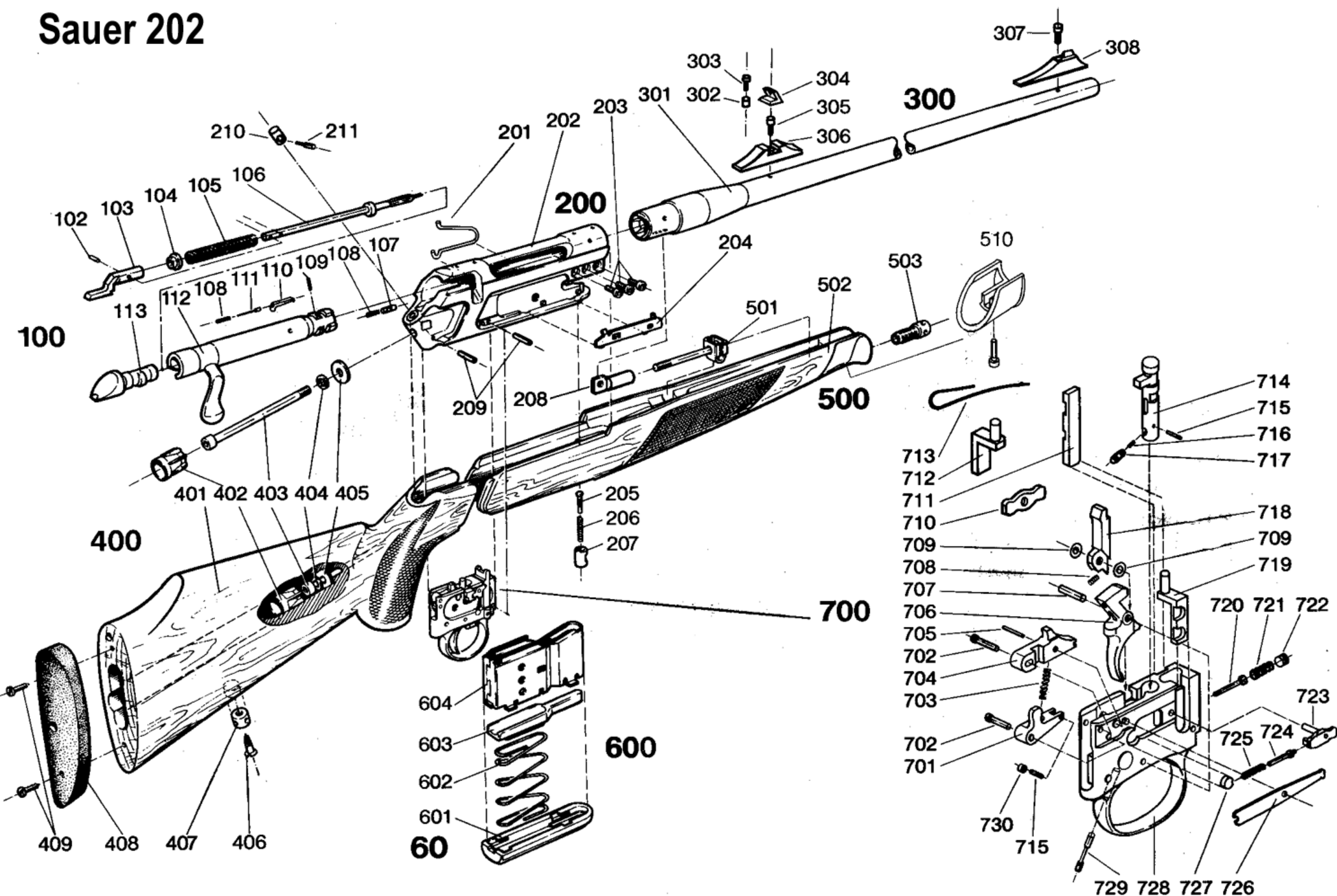


Sauer 202



Information to be supplied when ordering spare parts:

- **Weapon model**
- **Serial number**
- **Caliber**
- **Item number**
- **Part designation**
- **Left- or right-hand version**

Pos. Description

- 100 Bolt**
 102 Cylindrical pin
 103 Firing pin nut
 104 Collar bushing
 105 Firing pin spring
 106 Firing pin
 107 Ejector pin
 108 Compression spring for ejector
 109 Slotted spring pin
 110 Extractor
 111 Pin for extractor spring
 112 Bolt body
 113 Cocking sleeve
- 200 Receiver**
 201 Magazine ejector spring
 202 Receiver, aluminium alloy or steel
 203 3 clamping screws
 204 Magazine catch
 205 Guide pin

- 206 Compression spring for magazine catch
 207 Locking catch
 208 Insert
 209 2 slotted spring pins
 210 Safety pin
 211 Threaded pin
- 300 Barrel**
 301 Barrel
 302 Slotted spring pin
 303 Cylindrical screw
 304 Rear sight blade
 305 Cylindrical screw
 306 Rear sight base
 307 Cylindrical screw
 308 Front sight base
- 400 Stock**
 401 Buttstock
 402 Retaining bushing
 403 Buttstock screw
 404 Serrated washer
 405 Washer
 406 Countersunk-head wood screw
 407 Sling swivel bushing
 408 Butt cap
 409 2 butt cap screws
- 500 Forend compl.**
 501 Forend screw

- 502 Forend
 503 Sling swivel socket for forend
 510 Cap Stutzen
- 600 Magazine**
 601 Magazine base
 602 Magazine spring
 603 Feeder
 604 Magazine box
- 700 Set trigger assembly**
 701 Striking lever for set trigger
 702 Cylindrical pin
 703 Compression spring
 704 Sear
 705 Cylindrical pin
 706 Trigger
 707 Cylindrical pin
 708 Compression spring
 709 2 shims
 710 Rocker arm
 711 Bolt catch
 712 Action catch pin
 713 Spring for bolt catch
 714 Safety release catch
 715 2 cylindrical pins
 716 Compression spring
 717 Spring pin
 718 Trigger bar
 719 Safety catch
 720 Spring pin
 721 Compression spring

- 722 Adjusting screw for trigger spring
 723 Rocker arm
 724 Spring pin
 725 Spring
 726 Safety lever
 727 Spring support
 728 Trigger housing
 729 Adjusting screw
 730 Roller