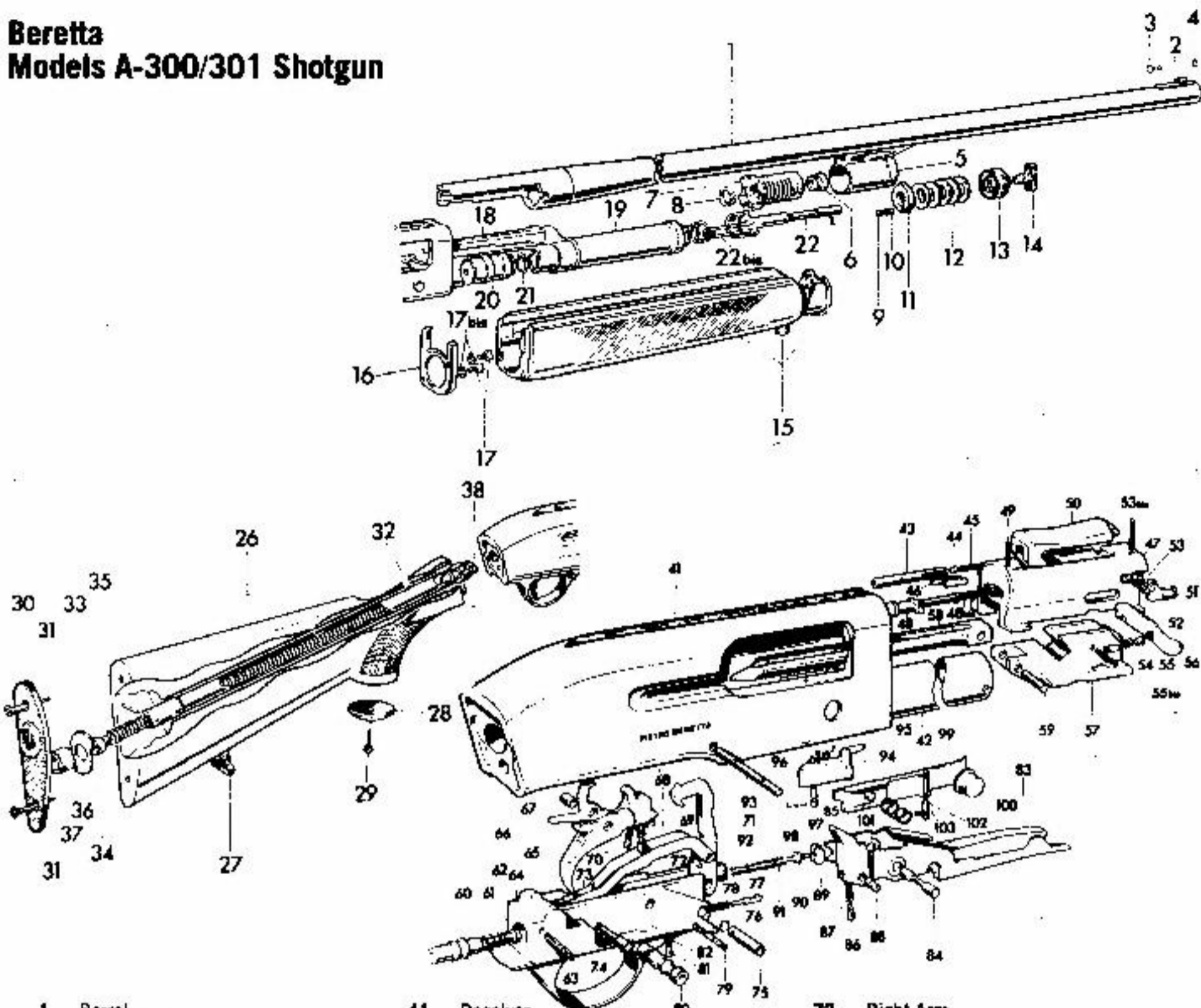


Beretta Models A-300/301 Shotgun



- 1 Barrel
- 2 Front Sight Base
- 3 Front Sight
- 4 Front Sight Snap Ring
- 5 Gas Cylinder
- 6 Piston Bushing
- 7 Piston
- 8 Piston Bushing Split Ring
- 9-14 Fore-end Cap Assembly with Springs and Swivel
- 15 Fore-end with Front Flange
- 16 Fore-end Cover
- 17 Fore-end Cover Screws
- 17b Split Rings
- 18 Action Bar
- 19 Action Bar Sleeve
- 20 Magazine Follower
- 21 Magazine Spring
- 22 Magazine Tube Cap and Shaft
- 22b Magazine Tube Cap Spring
- 26 Buttstock
- 27 Stock Swivel Assembly
- 28 Pistol Grip Cap
- 29 Pistol Grip Cap Screw
- 30 Buttplate
- 31 Buttplate Screws (2)
- 32 Stock Bolt Tube
- 33 Recoil Spring
- 34 Recoil Spring Retaining Plug
- 35 Recoil Spring Retaining Plug Pin
- 36 Washer
- 37 Stock Bolt Nut
- 38 Recoil Spring Guide

- 41 Receiver
- 42 Magazine Tube
- 43 Ejector Cradle
- 44 Ejector Spring Guide
- 45 Ejector Spring
- 48 Ejector
- 47 Breech Bolt
- 48 Firing Pin
- 48b Firing Pin Spring
- 49 Firing Pin Plunger Assembly
- 50 Locking Block
- 51 Extractor
- 52 Extractor Pin
- 53 Extractor Spring
- 54 Cocking Handle Plunger Spring
- 55a Cocking Handle Plunger
- 55b Cocking Handle Plunger Pin
- 56 Cocking Handle
- 57 Bolt Slide
- 58 Bolt Slide Connecting Rod
- 59 Bolt Slide Connecting Rod Pin
- 60 Hammer Spring Guide
- 61 Hammer Spring
- 62 Hammer Spring Guide Pin
- 63 Hammer Spring Guide Split Pin
- 64 Trigger Plate
- 65 Trigger
- 66 Sear
- 67 Trigger Bushing
- 68 Trigger Spring
- 69 Trigger Spring Guide Pin
- 70 Sear Spring with Pin
- 71 Hammer

- 72 Right Arm
- 73 Left Arm
- 74 Trigger Pin
- 75 Hammer Bushing
- 76 Hammer Bushing Split Ring
- 77 Safety Retaining Plunger
- 78 Safety Retaining Plunger Spring
- 79 Plunger Split Pin
- 80 Safety
- 81 Safety Plunger
- 82 Safety Spring
- 83 Carrier
- 84 Carrier Pin
- 85 Carrier Lever
- 86 Carrier Lever Spring Guide Pin
- 87 Carrier Lever Spring
- 88 Carrier Lever Pin
- 89 Carrier Lever Roller
- 90 Carrier Spring Guide
- 91 Carrier Spring
- 92 Carrier Spring Guide Roller
- 93 Trigger Plate Pin
- 94 Shell Latch
- 95 Shell Latch Spring
- 96 Shell Latch Split Pin
- 97 Shell Latch Pin
- 98 Shell Latch Pin Spring
- 99 Carrier Latch
- 100 Carrier Latch Button
- 101 Carrier Latch Spring
- 102 Carrier Latch Pin
- 103 Carrier Latch Pin Spring